

Technical information

Name: MediGenix Ear & Forehead Infrared Thermometer
Model: MGX-007

Measurement range:

Ear/Forehead mode 32°C - 44°C (89.6°F - 111.2°F)
Surface mode 0°C - 100°C (32°F - 212°F)

Laboratory measurement precision:

Ear mode: 0.2°C (±0.4°F) from 35.5°C - 42°C (95.9°F - 107.6°F)
Forehead mode: ±0.3°C (±0.5°F) from 32°C - 43°C (89.6°F - 109.4°F)
Surface mode: ±0.8°C (±1.5°F)

Interval between 2 measurements: at least 5 seconds

Clinical precision:

Ear - Children (1 to 5 years) ±0.08°C (±0.14°F)
Ear - Adults ±0.07°C (±0.13°F)
Forehead - Children (1 to 5 years) ±0.07°C (±0.13°F)
Forehead - Adults ±0.08°C (±0.14°F)

Measurement units: Celsius (°C) or Fahrenheit (°F)

Ambient operating conditions: 10° - 40°C (50 - 104°F) with a non-condensing relative humidity of 85% or less

Memory: 9 measurements

Battery: 2 x 1.5V AAA (LR03)

Weight: 75g (including batteries)

Dimensions: 38.3 x 140 x 32.8mm

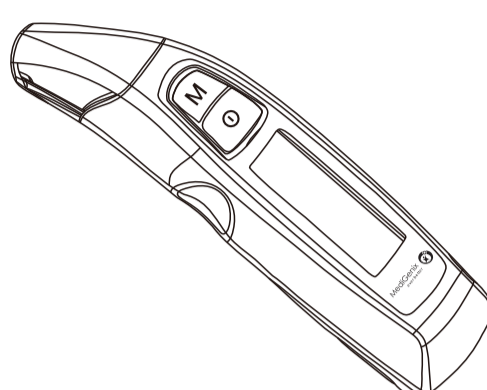
EC REP: Lotus NL B.V.
Koningin Julianaplein 10,
1e Verd, 2595AA,
The Hague, The Netherlands

Syringa UK Ltd
sales@syringa-uk.co.uk
customer@care@syringa-uk.co.uk
+44 (0)1403 289370
www.medigenix.co.uk



User Manual

Ear & Forehead Infrared Thermometer MGX-007



Introduction

The MediGenix Ear & Forehead Infrared Thermometer is designed for scanning the temperature of a person, object or liquid. The user can switch between these 3 modes.

It accurately reads the temperature in either degrees Centigrade or Fahrenheit in just one second. The user can switch between these two modes.

Always use a clinical thermometer when highly accurate body temperature readings are required.

It stores the last 9 readings. The display backlight will light up in green if the temperature is within normal range; yellow if it is elevated and red if a fever is detected. A fever alarm sounds when a high temperature is measured in body mode.

The object function is handy when measuring the temperature of a baby's porridge and the liquid function for when measuring bath water or milk for the baby.

Warnings

Read all the instructions in this User Manual

To obtain the most accurate results, ensure the ambient temperature of the patient's room is between 16 and 35°C (60.8 to 95°F) when taking a reading. If the thermometer has been stored in a cold or hot environment, allow at least 30 minutes for it to acclimatize to room temperature before using.

Ensure the skin is dry and no hair is in the way when measuring in body mode. Avoid direct contact with the skin to prevent transmission of disease.

Never immerse the thermometer in water.

Avoid scratching or touching the infrared sensor lens. Clean the lens area by gently blowing with compressed air and use a damp swab to wipe the lens.

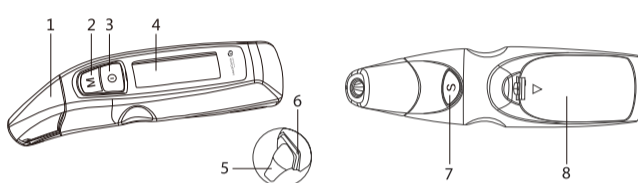
1

Do not use solvents to clean the lens.

Always use a clinical thermometer to verify any abnormal temperature measurements.

Always wait 10 minutes after heavy exercise before taking a forehead temperature reading.

Thermometer Description



Unit Description

- | | |
|------------------------------|--------------------------------------|
| 1 Forehead/Cover cap | 5 Sensor tip with lens (cap removed) |
| 2 Memory/Off button (M) | 6 Forehead/Ear mode button |
| 3 On/Off and scan button (⓪) | 7 Set/Object mode button (S) |
| 4 LCD | 8 Battery compartment lid |

Display Description

- | | | | | | | | |
|---------------|-----------------------------|----------|-----------------------------|------------------------|-------------------|-----------------------|---------------------------|
| 1 Measurement | 2 Unit of measurement °C/°F | 3 Memory | 4 Forehead measurement mode | 5 Ear measurement mode | 6 Battery warning | 7 Memory space number | 8 Measurement in progress |
|---------------|-----------------------------|----------|-----------------------------|------------------------|-------------------|-----------------------|---------------------------|
-

2

Operating Instructions

Insert the two AAA 1.5v batteries observing the correct polarity.

Switching between °C and °F

Whilst switched OFF, press and hold down the Set/Object mode button (S). °C or °F will be displayed for approximately 10 seconds until a beep sounds and all the elements are displayed. Release the button after the beep is sounded. After that, press the Set/Object button (S) to switch between the units of measurement. Note: The stored measurement readings will be displayed with the new measurement value. °C or °F will be converted to the new unit of measurement (°F or °C).

Switching off

Press the Memory/Off button (M) for approximately 4 seconds. If you don't make any further measurements, the thermometer will switch itself off 30 seconds after the measured values have been displayed.

Measuring

Ensure the thermometer has been in the room the measurement will be taken in, for 30 minutes, as it has to adjust to the ambient temperature. Ensure the lens is clean and clear of debris. Ensure the ear is clear of wax and is clean. Do not use the thermometer in the ear if the ear is injured, inflamed, infected, or if it is seeping pus or has a discharge. In the case of infectious diseases, it is not appropriate to use the thermometer on different people as the infection can be passed on. The thermometer may only be used without a disposable cover. The ear thermometer may only be used on children under adult supervision. Measurement is

3

usually possible on children over 6 months. In children under 6 months, the ear canal may be too narrow so the temperature of the ear drum cannot be recorded and the displayed result would be too low. If the patient has been lying on one ear for some time, the temperature will be slightly raised. Either wait a while or measure in the other ear.

Low to normal temperature range:
Green display + 1 long beep = ≤32 - 37.3°C (89.6 - 99.1°F)
Raised temperature range:
Orange display + 1 long beep = ≤37.4 - 37.9°C (99.3 - 100.2°F)
High temperature range:
Red display + 8 short, rapid beeps = 38 - 44°C (100.4 - 111.2°F)

Measuring body temperature in the ear

Remove the cap by gently pushing it down (1) and then pulling it forward (2).

Press the On/Off button (⓪) to switch it on.

Following a quick self-test, the thermometer will sound 1 short beep and the ear symbol (E) will show on the screen. It is important the sensor tip is directly pointed at the ear drum. To ensure this, pull the ear slightly up and backwards before inserting the sensor tip. Once correctly inserted, press the (⓪) button for 1 second.

The (E) symbol will flash together with a long beep and the measured temperature will display on screen for 5 seconds.

After the measured temperature has stopped displaying, you can take another measurement. Always measure a temperature in the same ear for comparable results.

4

Measuring surface temperature

With the thermometer turned off, point the sensor tip towards the liquid from a distance of 1cm. Never bring it in contact with liquid. Press the (S) button for 1 second to switch the thermometer on. The unit of measurement (°C or °F) will display and 1 short beep will sound. The (E) symbol will flash together with a long beep and the measured temperature will display on screen for 5 seconds. After the measured temperature has stopped being displayed, you can take another measurement. Note: temperatures measured in this mode are not stored in memory.

Measuring body temperature on the forehead

Note: The forehead and temple area must be free of sweat and cosmetics. Vasoconstrictive medication and skin irritations may distort the result when measuring the temperature on the forehead. Ensure the forehead cap is fitted onto the thermometer probe. Press the (⓪) button for 1 second to switch the thermometer on.

Following a quick self-test, the thermometer will sound 1 short beep and the forehead symbol (F) will show on the screen. Place the capped thermometer on the temple and press and HOLD the (⓪) button. Whilst still pressing the (⓪) button, move the thermometer smoothly across the forehead to end at the other temple. Release the (⓪) button. The (E) symbol will flash together with a long beep and the measured temperature will display on screen for 5 seconds. After the measured temperature has stopped displaying, you can take another measurement.

Memory

The last measured temperature will automatically be stored in the memory. There are 9 memory places for this. The oldest reading

5

will be replaced by the newest reading. To recall saved readings, switch the thermometer on and press the (M) button. The memory space number, measuring mode symbol, temperature and flashing memory symbol will be displayed. Browse through the stored readings by repeatedly pressing the (M) button.

Battery replacement

When the batteries are nearing completion, the battery warning symbol (E) will flash and 1 beep will sound. Readings can still be made.

Batteries must be replaced when the weak battery symbol (E) appears. The thermometer will switch itself off if the batteries are flat. Slide the lid off downwards. Remove the used batteries and insert the new batteries, observing the correct polarity. Slide the lid back on to close the battery compartment.

Dispose of the used batteries in accordance with local regulations. Never dispose of batteries in normal household waste.

Note: When replacing the batteries, always use the same type of battery and always replace both batteries at the same time. Do not use rechargeable batteries.

Storage and maintenance

Use a clean cloth or cotton bud moistened with warm water, alcohol or disinfectant to clean the sensor tip after use. Use a slightly moistened soft cloth to wipe the device itself when necessary. Do not get water in the device and do not use harsh cleaning products. Always store the thermometer with the forehead/cover cap on. Remove the batteries if stored for a long time without being used.

6